

### GENERAL FEATURES

Protection of 4-20mA transmitters or any system powered by low voltage and exposed to electric shocks.

This protection unit fits in serial mode between the electronic to protect and the signal line transmission.

Model **PSE30V** is particularly adapted for a functional tension of **24Vcc**.

### MECHANICAL SPECIFICATIONS

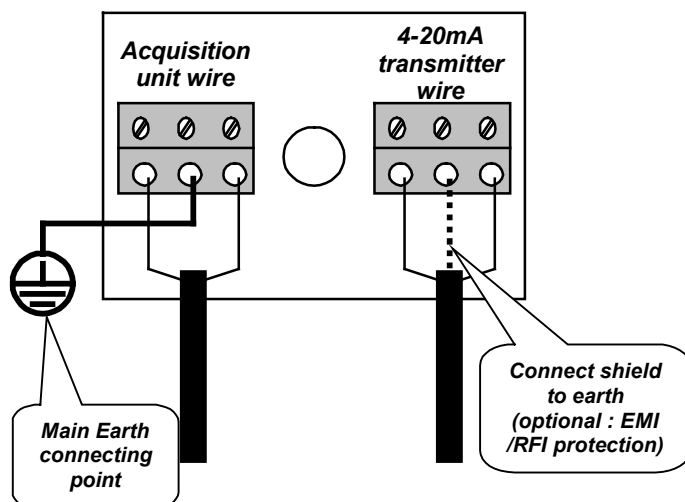
Waterproof Plexo case

Size :	65 x 65 mm.
Weight :	60 grammes around.
Connections :	2 screw connectors.
Clamping :	Plug mounting

### ELECTRICAL SPECIFICATIONS

Using voltages :	<i>nominal / maximal</i>	24 VDC / 27 VDC
Static voltage breakdown :	<i>differential mode</i>	30 V
Max discharge :	<i>wave 8 / 20</i>	10 kilo amperes
Max voltage between wires :	<i>wave 1,2 / 20</i>	12 kilo Volts
Impedance :		2 x 4 ohms
Max input intensity :		150 milliamperes

### CONNECTIONS



Earthing the surge protector is regarded as in conformity with the standard reglementation.

Earthing the surge protector is regarded as in conformity with the standard reglementation.